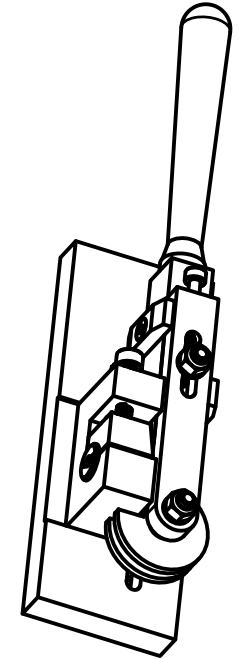
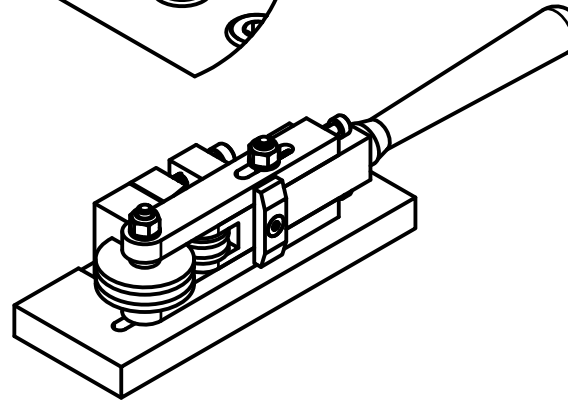
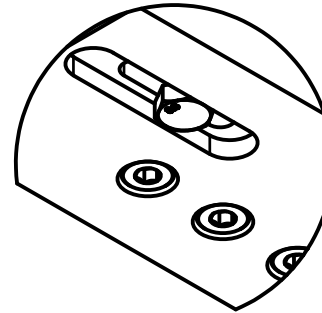
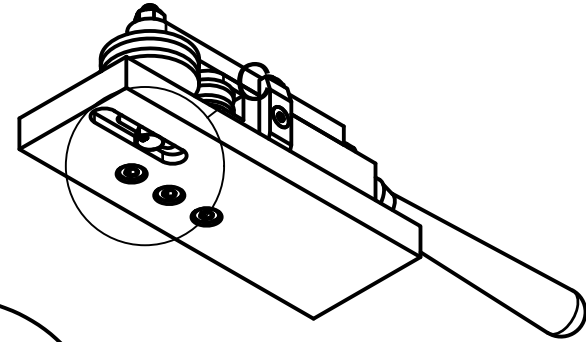
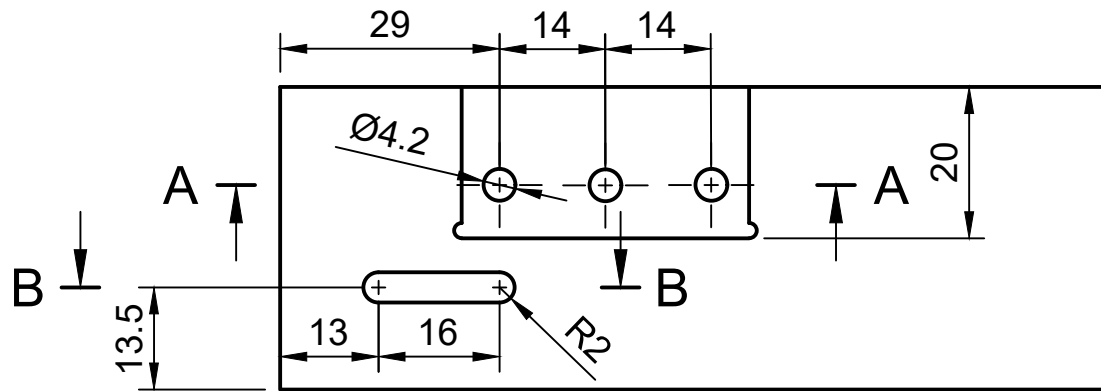
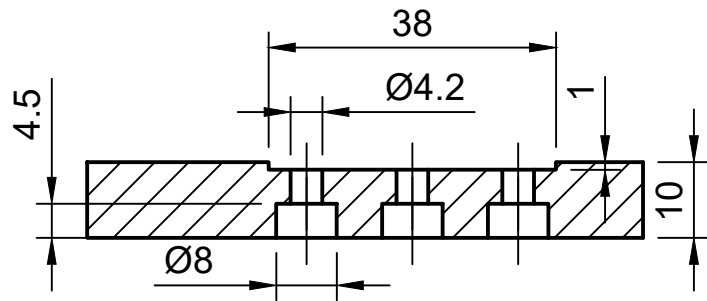


C (1:1)

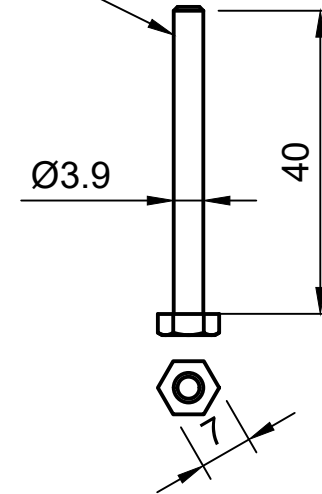


Dept.	Technical reference	Created by <b>Patrick Leclere 08/05/2020</b>	Approved by	
		Document type	Document status	
		Title <b>Cintreuse Britnell</b>	DWG No.	
		Rev.	Date of issue	Sheet <b>1/6</b>

A-A (1:1)

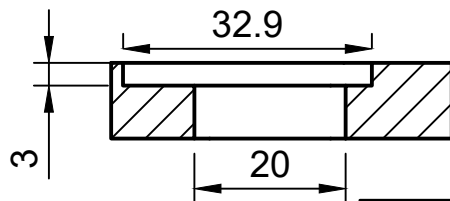


M4 sur 10mm



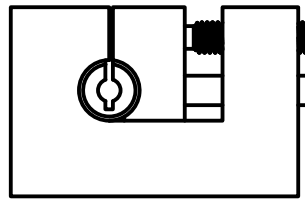
Axe levier

B-B (1:1)

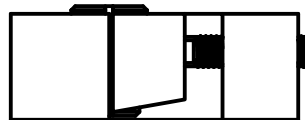


Base

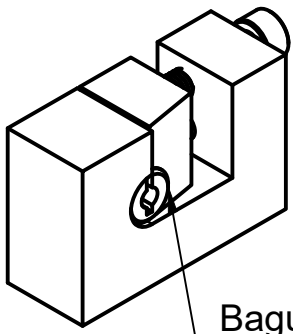
Dept.	Technical reference	Created by <b>Patrick Leclere 08/05/2020</b>	Approved by	
		Document type	Document status	
		Title <b>Cintreuse Britnell</b>	DWG No.	
Rev.	Date of issue	Sheet <b>2/6</b>		



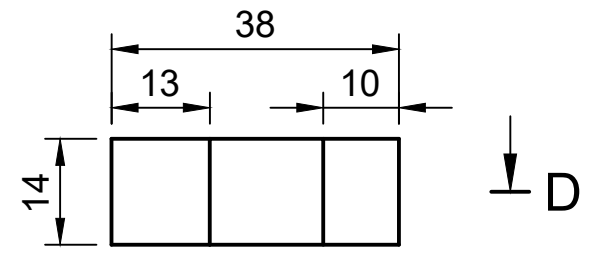
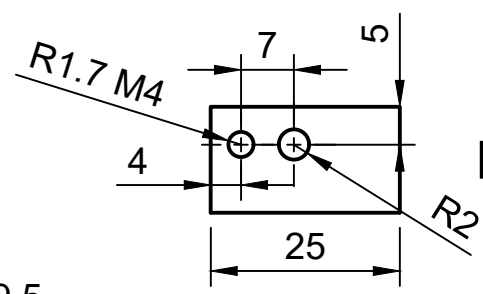
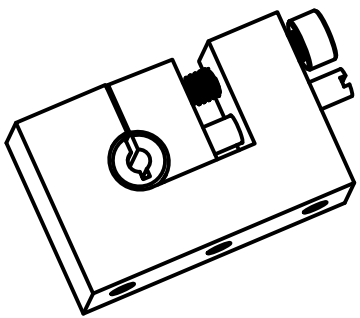
Guide vissé dans bloc mobile



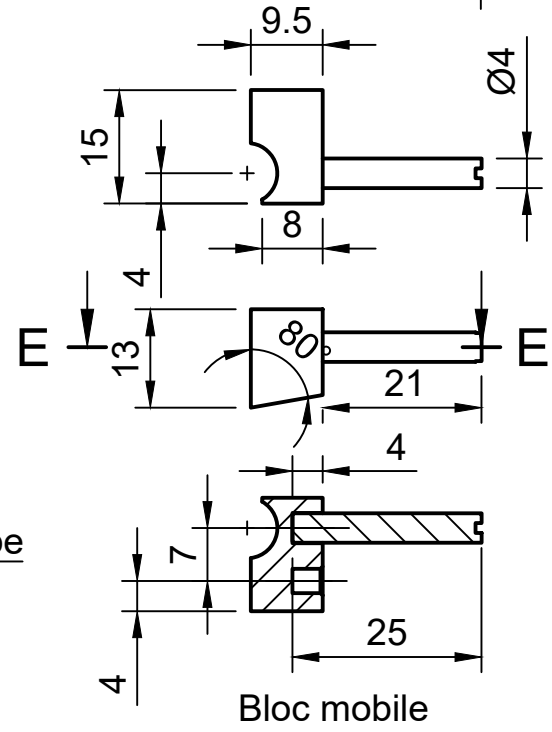
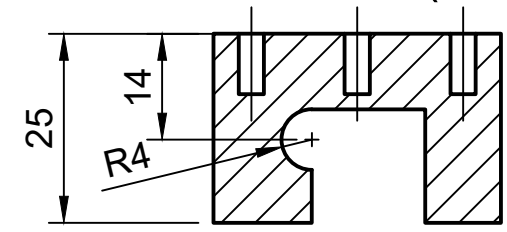
Vis de pression



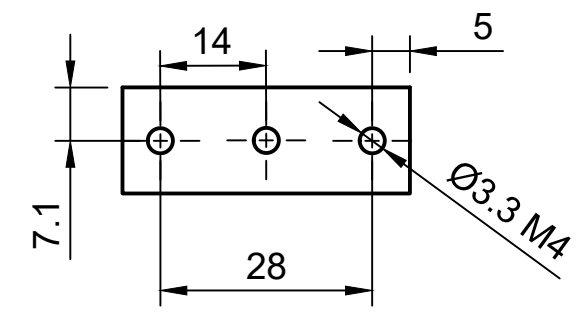
Bague pince tube



D-D (1:1)

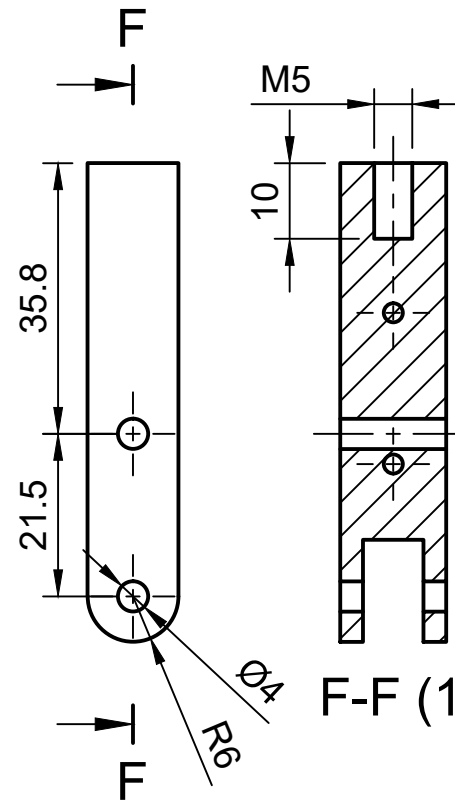
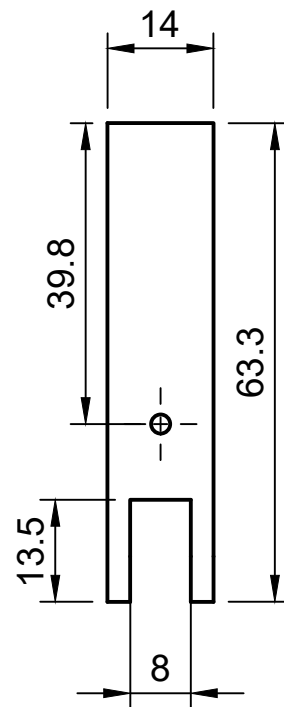
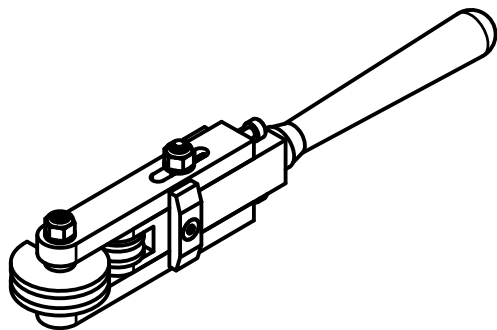
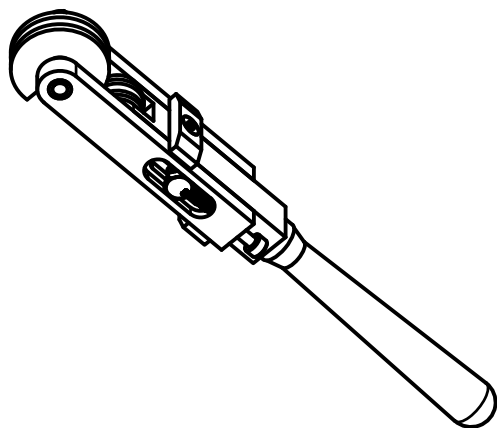
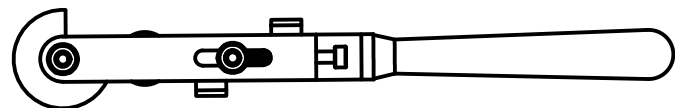
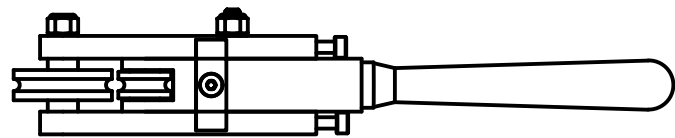


E-E (1:1)



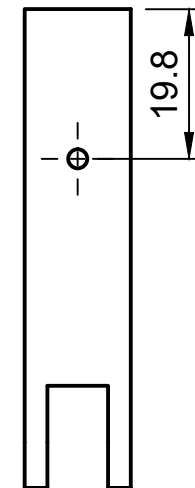
Bloc fixe

Dept.	Technical reference	Created by <b>Patrick Leclere 08/05/2020</b>	Approved by	
		Document type	Document status	
		Title <b>Cintreuse Britnell</b>	DWG No.	
		Rev.	Date of issue	Sheet <b>3/6</b>



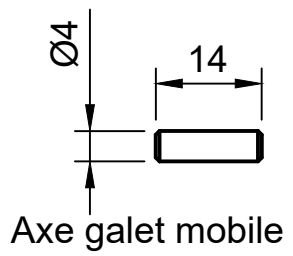
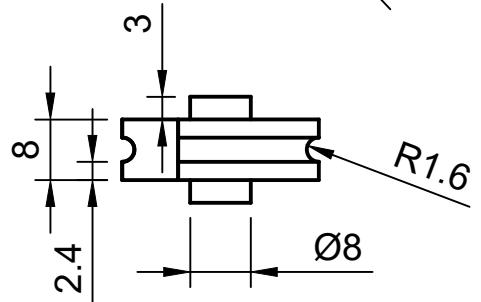
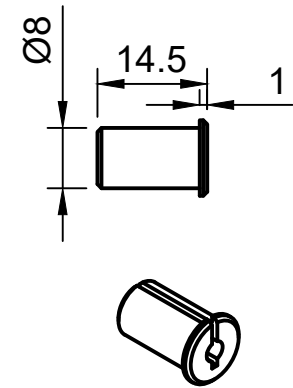
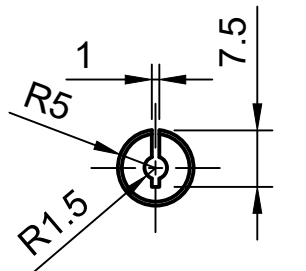
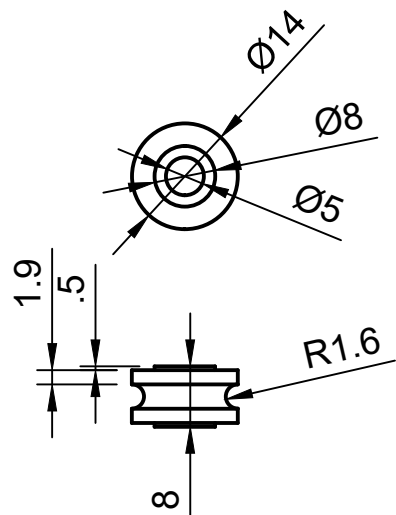
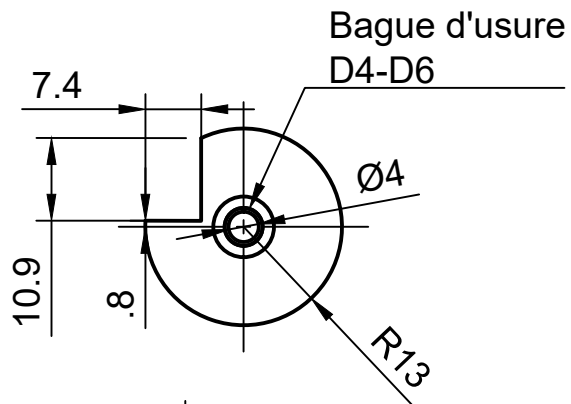
Levier corps

F-F (1:1)



Dept.	Technical reference	Created by <b>Patrick Leclere 08/05/2020</b>	Approved by	
		Document type	Document status	
		Title <b>Cintreuse Britnell</b>	DWG No.	
		Rev.	Date of issue	Sheet <b>4/6</b>





Dept.	Technical reference	Created by <b>Patrick Leclere 08/05/2020</b>	Approved by	
		Document type	Document status	
		Title <b>Cintreuse Britnell</b>	DWG No.	
		Rev.	Date of issue	Sheet <b>6/6</b>