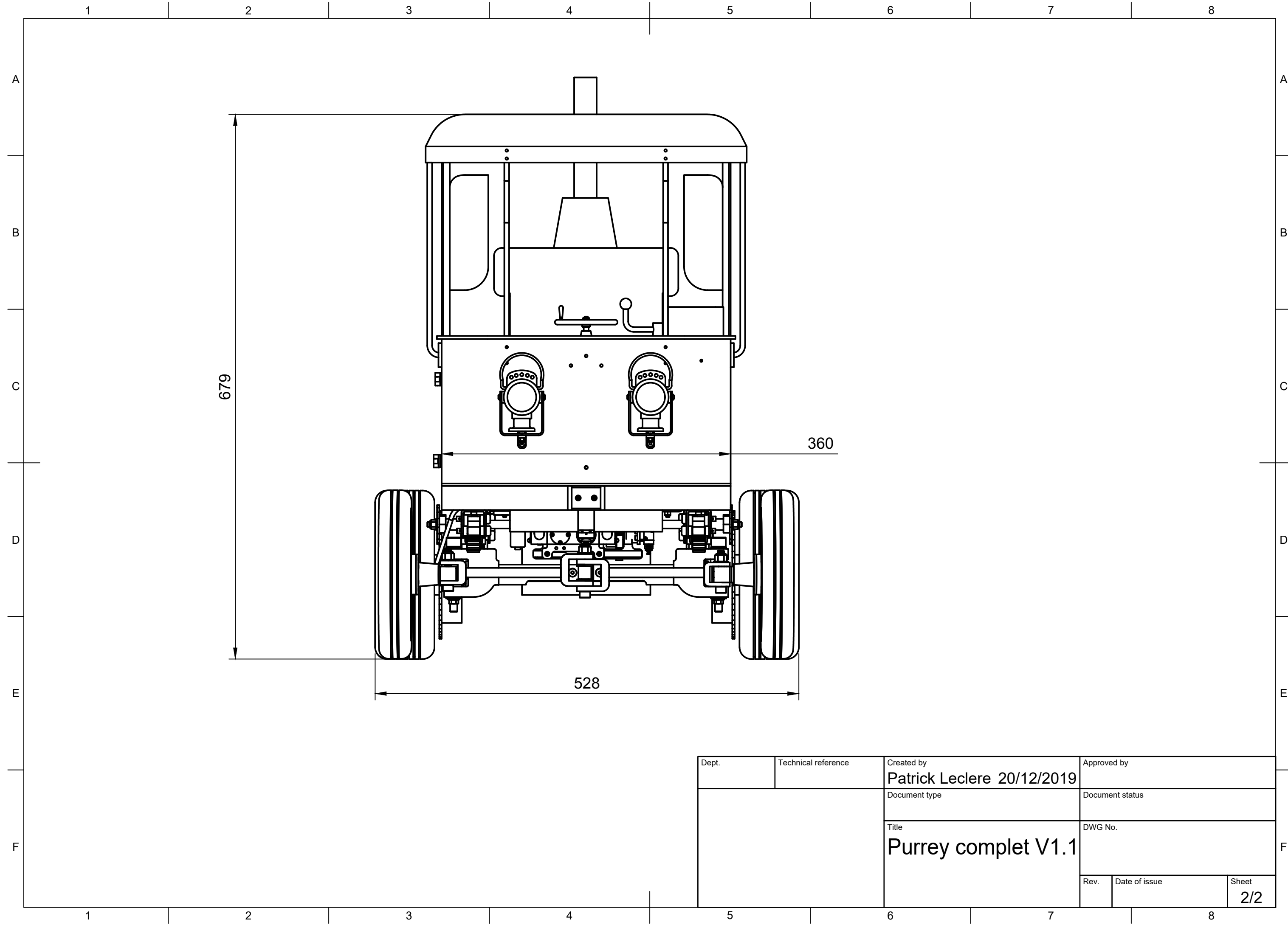


Dept.	Technical reference	Created by <b>Patrick Leclere 20/12/2019</b>	Approved by	
		Document type	Document status	
		Title <b>Purrey complet V1.1</b>	DWG No.	
	Rev.	Date of issue	Sheet	<b>1/2</b>



Dept.	Technical reference	Created by <b>Patrick Leclere 20/12/2019</b>	Approved by	
		Document type	Document status	
		Title <b>Purrey complet V1.1</b>	DWG No.	
	Rev.	Date of issue	Sheet <b>2/2</b>	